

*The*  
**TEMPEST**<sup>TM</sup>  
By: ACCESS TRUCK PARTS



**THE TEMPEST 12V / 24V DC ELECTRIC CANNON**

**288-TSKD20-40SS**

## TECHNICAL SPECIFICATION

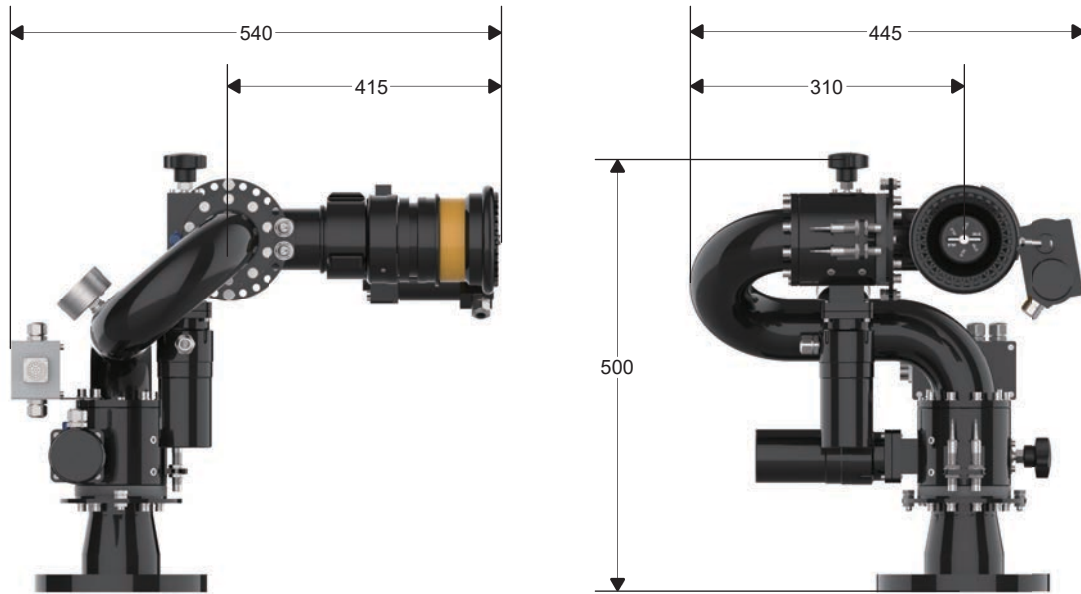
Net Weight Incl. Nozzle Approx.	≈18KG/40 LBS	Range of Motion	+90°/-90° vertical , 340°Horizontal
			Other Degrees Adjustable
Material	Body Stainless 304(standard) Stainless 316 (optional) Painted Black	Speed (of high speed version)	8°/sec rotation , 8°/ sec vertical
	Aluminum Hard Anodized Nozzle	Power Consumption Max.	12V @ 10A
	Gear bronze	Power Supply	12V DC/24V DC
Flow Range @ 8 bar (Max recommended)	Nozzle Model: AN40 – 12Vdc Jet Spray Nozzle – Adjustable	Reaction Force	Up to 1000N
		Mechanical Installation	Support must withstand 4000N of force
	Options	Network, radio remote , aux control etc.	
	Max. Reach @ 8 bar	65M/213FT	
	Flow Rates of: 1200 LPM – 1800 LPM – 2400 LPM @120PSI		

## FIRE MONITOR DESCRIPTION

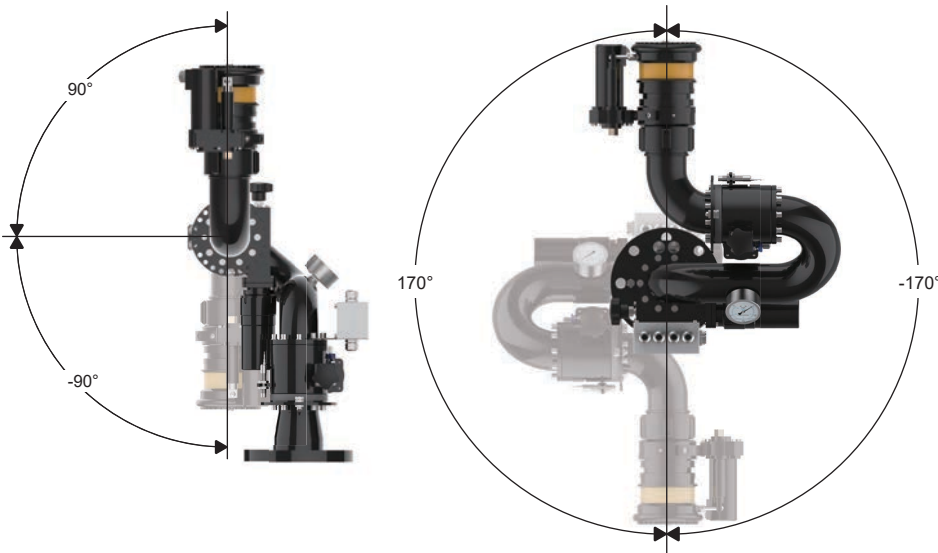


- 1 End Position Bolts (Vertical)
- 2 End Position Sensor (Vertical)
- 3 Gear Motor (Horizontal)
- 4 End Position Bolts (Horizontal)
- 5 PTZC-DP-20-40A
- 6 Adjustable Flow Nozzle Stem
- 7 Gear Motor (Vertical)
- 8 End Position Sensor (Horizontal)
- 9 IP67 Sealed Nozzle Actuator
- 10 Junction Box
- 11 Manual Override (Horizontal)
- 12 2 1/2" Inlet Flange (3" Optional)
- 13 Manual Override (Vertical)
- 14 Grease Nipple
- 15 Pressure Gauge

## OUTLINE DIMENSIONS



288-TSKD20-40SS Fire Monitor Outline Dimensions (MM)

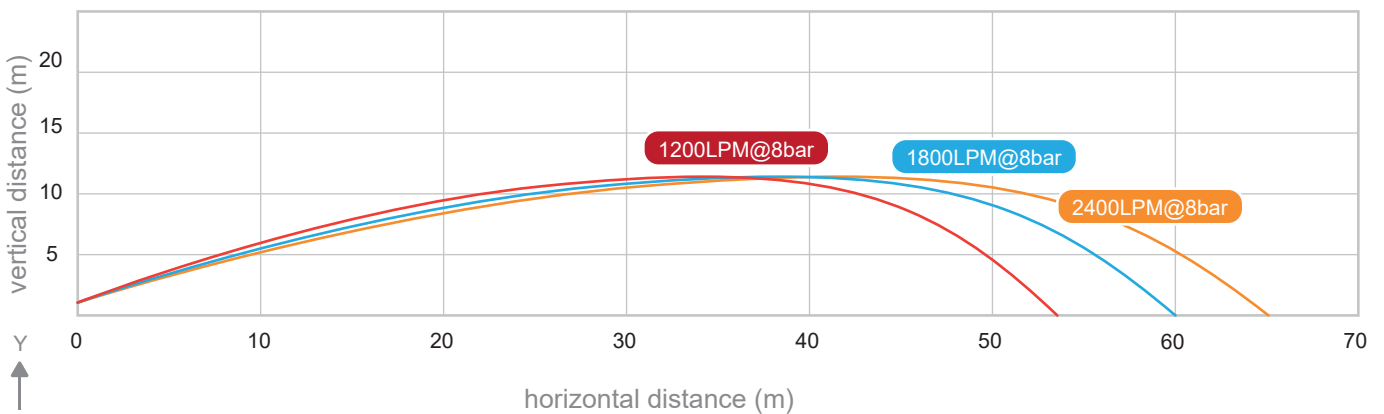


Rotation Envelop

### NOTICE

Before mounting fire monitor, ensure that both the horizontal and vertical rotation envelopes are clear of all obstructions. See above figures for envelope dimensions.

## PEFORMANCE CHART

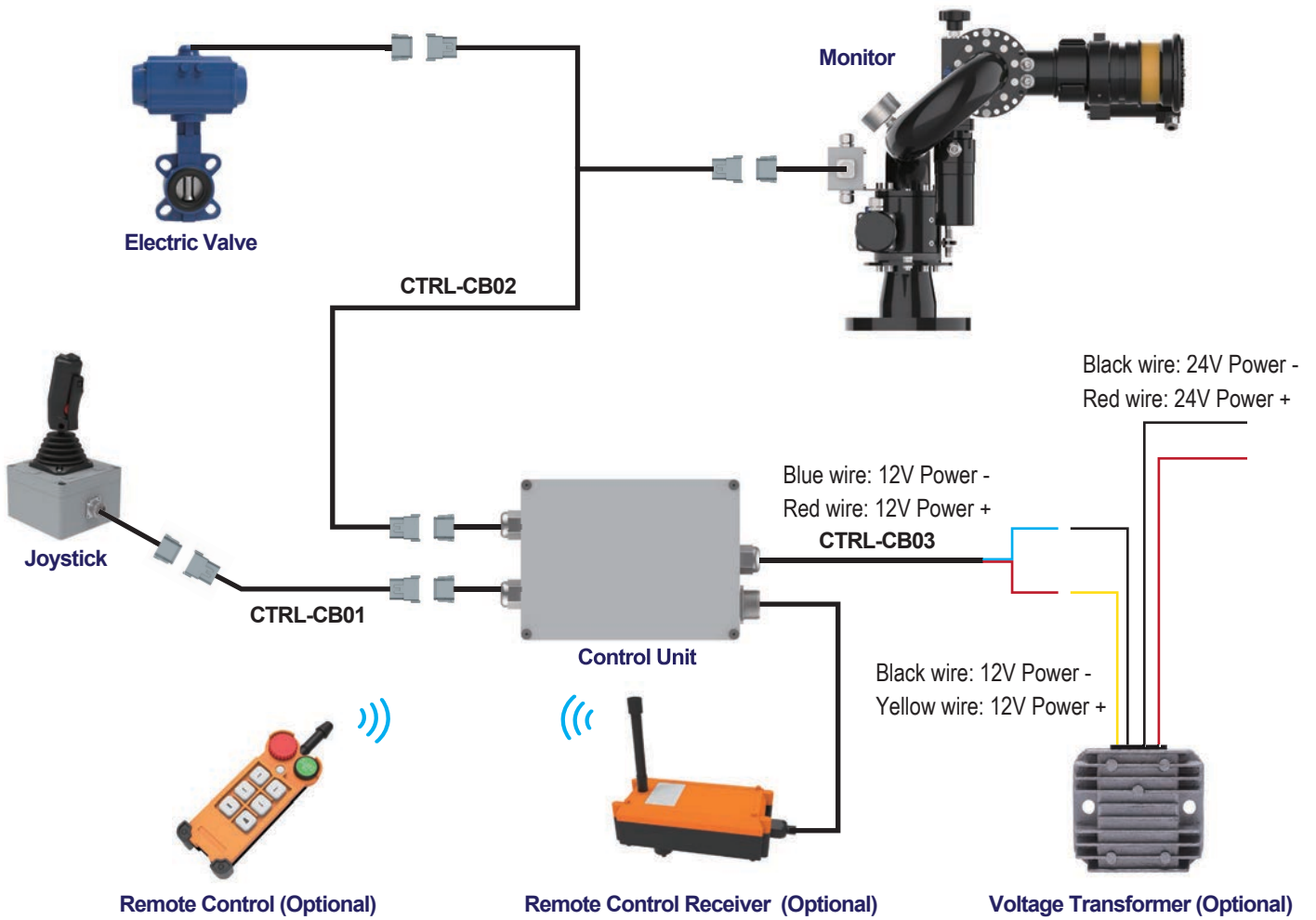


Results may vary depending on testing conditions and the figures may be considered as an approximate guideline only.

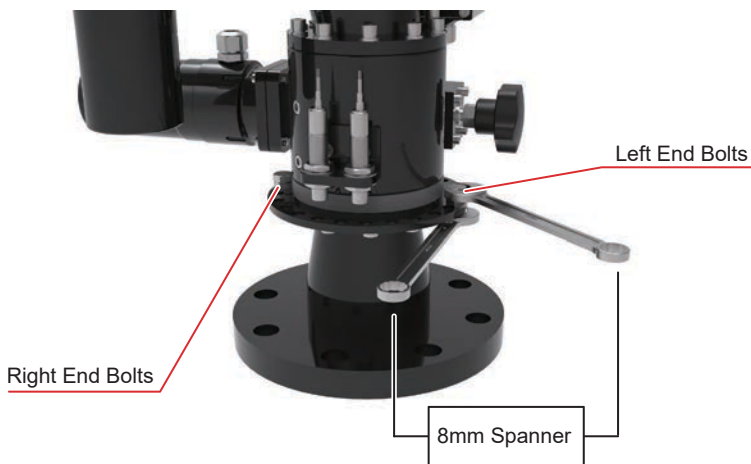
## SYSTEM COMPONENTS DESCRIPTION

NAME	FIRE MONITOR BODY	DC ELECTRIC JET SPRAY NOZZLE	JOYSTICK
PART IMAGE			
PART#	2881-PSZC65A	2881-PTZCDP2040A	2881-CTRL-J01
BRIEF DESCRIPTION	12&24Vdc Electric Remote Controlled	Fixed&Selectable Flow Rates	Up-Down-Left-Right
	2 1/2 "NH Outlet	1200 LPM/1800LPM/2400LPM @ 120PSI	Straight Stream/Fog Function
	Stainless 304&316 2 1/2" Waterway	IP67 Standard Seal Actuator	Power Indicator
	Bronze Steel Gear, Stainless Worm	Fixed Fog Teeth	Aluminum Base
	2 1/2" & 3" Inlet Flange		
NAME	CONTROL UNIT	Straight Bore Branch Pipe Nozzle (OPTIONAL)	CABLES
PART IMAGE			
PART#	2881-CU02	2881-PTZCZJ20-40A	2881-CTRL-CB01 / CB02 / CB03
BRIEF DESCRIPTION	Aluminum Cover	Hard Anodized Stacked Tip Branch Pipe Nozzle c/w Inbuilt Stream Shaper – 32mm End Nozzle Orifice Tip	Joystick to Control Unit cable- 12m length
	IP67 Standard Sealed		Monitor to Control Unit cable- 12m length
		2 1/2" NH Female Inlet	Control Unit cable to Power- 5m length
NAME	CONTROL UNIT(OPTIONAL)	REMOTE CONTROL(OPTIONAL)	VOLTAGE TRANSFORMER(OPTIONAL)
PART IMAGE			
PART#	2881-CU03	2881-WP1-1	2881-DCP24/12-01
BRIEF DESCRIPTION	Aluminum Cover	Max. Remote Control Distance 150m	Transform the Voltage from 24V to 12V
	IP67 Standard Sealed	IP65 Standard Sealed	Rated Current 10A
	For remote control option		

## INSTALLATION WIRING

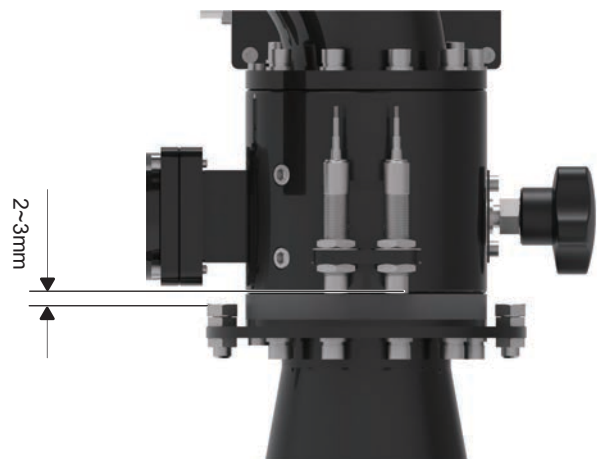


## INSTALLATION INSTRUCTIONS



- 1 By moving the bolts to set different end positions.
- 2 Remove either "left bolts" or "right bolts", the monitor will rotate 340° Horizontally.
- 3 Make sure the bolts are fastened tightly on to the flange base.

- 1 Mind the gaps between the sensors and bolts.
- 2 Too close may damage the sensors, too far may cause the sensor work abnormally.





**ACCESSTRUCKPARTS.CA**

**SALES@ACCESSTRUCKPARTS.CA**

**877-583-5275**

## **ACCESS TRUCK PARTS WARRANTY**

### **LIMITED WARRANTY**

---

ACCESS TRUCK PARTS warrants to the original consumer purchaser ("Purchaser" or "You") of the products listed below, that they will be free from defects in material and workmanship for the Warranty Period shown below.

#### **Product Warranty Period**

- **Water Pumps:** 12 months from date of Purchase.
- **Water Cannons:** As per Manufacturer's Warranty or 12 months from Date of Purchase.
- **All other items:** 90 days from Date of Purchase.

Our limited warranty will not apply to any product that, in our sole judgement, has been subject to negligence, misapplication, improper installation, or improper maintenance.

Your only remedy, and ACCESS TRUCK PARTS's only duty, is that ACCESS TRUCK PARTS repair or replace defective products (at ACCESS TRUCK PARTS's sole discretion). You must pay all labor and shipping charges associated with this warranty and must request warranty service through the Access Truck Parts directly as soon as a problem is discovered.

No request for service will be accepted if received after the Warranty Period has expired. This warranty is not transferable.

ACCESS TRUCK PARTS SHALL NOT BE LIABLE FOR ANY CONSEQUENTIAL, INCIDENTAL, OR CONTINGENT DAMAGES WHATSOEVER. THE FOREGOING LIMITED WARRANTY IS EXCLUSIVE AND IN LIEU OF ALL OTHER EXPRESS AND IMPLIED WARRANTIES, INCLUDING BUT NOT LIMITED TO THE IMPLIED WARRANTIES OF MERCHANTABILITY AND FITNESS FOR A PARTICULAR PURPOSE. THE FOREGOING WARRANTIES SHALL NOT EXTEND BEYOND THE DURATION EXPRESSLY PROVIDED HEREIN.

This warranty supersedes and replaces all previous warranty publications.

For Warranty Claims: ACCESS TRUCK PARTS, 603-36th Street SW, Calgary Alberta T3C 1R1

Contact: [sales@accesstruckparts.ca](mailto:sales@accesstruckparts.ca)

By Phone: 877-583-5275

Effective date: January 1st, 2021

**ACCESSTRUCKPARTS**

Calgary, Alberta, Canada

© 2021 Access Truck Parts

# LINE CARD

WE CARRY REPLACEMENT WATER TRUCK PARTS FOR BERKELEY, CURRY, LEDWELL, UNITED TRUCK, VALEW AND ALL OTHER MANUFACTURERS.



### WATER PUMPS & PARTS

CENTRIFUGAL WATER PUMPS - PTO & HYDRAULIC DRIVEN  
 ROPE & MECHANICAL SEAL, CW OR CCW  
 REPAIR PARTS: SHAFT KITS, SEAL KITS & IMPELLERS



### SPRAY HEAD VALVES & NOZZLES

SPRAY HEAD KITS - FRONT, REAR & SIDE  
 SPRAY HEADS - MEGA STYLE, AGM & BMAC  
 ELECTRIC/AIR/HYDRAULIC CONTROL  
 REPAIR KITS: ASSEMBLIES, DIAPHRAGMS, SEATS & SPRINGS



### FITTINGS & CAM LOCKS

COMPLETE LINE OF ALL CAM LOCK FITTINGS  
 GROOVE FITTINGS, ELBOWS, TEES, COUPLINGS & GASKETS  
 WELD ELBOWS, THREAD xV1c, WELD xV1c NIPPLES  
 SWIVELS: STRAIGHT, 90°, OR 180°



### INLINE CONTROL VALVES

THREADED, VICTAULIC, AIR/ELECTRIC/HYDRAULIC  
 AIR CONTROLLED, MANUAL GATE & BALL VALVES  
 AIR OPERATED BUTTERFLY VALVES



### CAB CONTROLS & AIR FITTINGS

AIR CONTROL PANELS, ENCLOSED PANELS  
 CONTROL SWITCHES, MANUAL CONTROLS & CABLES  
 AIR HOSE FITTINGS, QUICK EXHAUST VALVES



### WATER CANNONS

MANUAL, PNEUMATIC & ELECTRIC WATER CANNONS  
 JOYSTICK CONTROLS, TOGGLE BOX CONTROLS  
 STRAIGHT STREAM & ELECTRIC ADJUSTABLE NOZZLES  
 HARNESS EXTENSIONS, CONTROL ASSEMBLIES



### HOSES & HOSE REEL

WATER, HYDRANT, JETTING & SUCTION HOSES  
 BRASS STRAIGHT STREAM, FOG, & JET NOZZLES  
 SUCTION STRAINERS, FOOTVALVES & CLAMPS



### HYDRAULIC MOTORS & COUPLINGS

THREADED, VICTAULIC, AIR/ELECTRIC/HYDRAULIC  
 AIR CONTROLLED, MANUAL GATE & BALL VALVES





**ACCESS TRUCK PARTS**

**ACCESS TRUCK PARTS**

1-877-583-5275

SALES@ACCESSTRUCKPARTS.CA

ACCESSTRUCKPARTS.CA