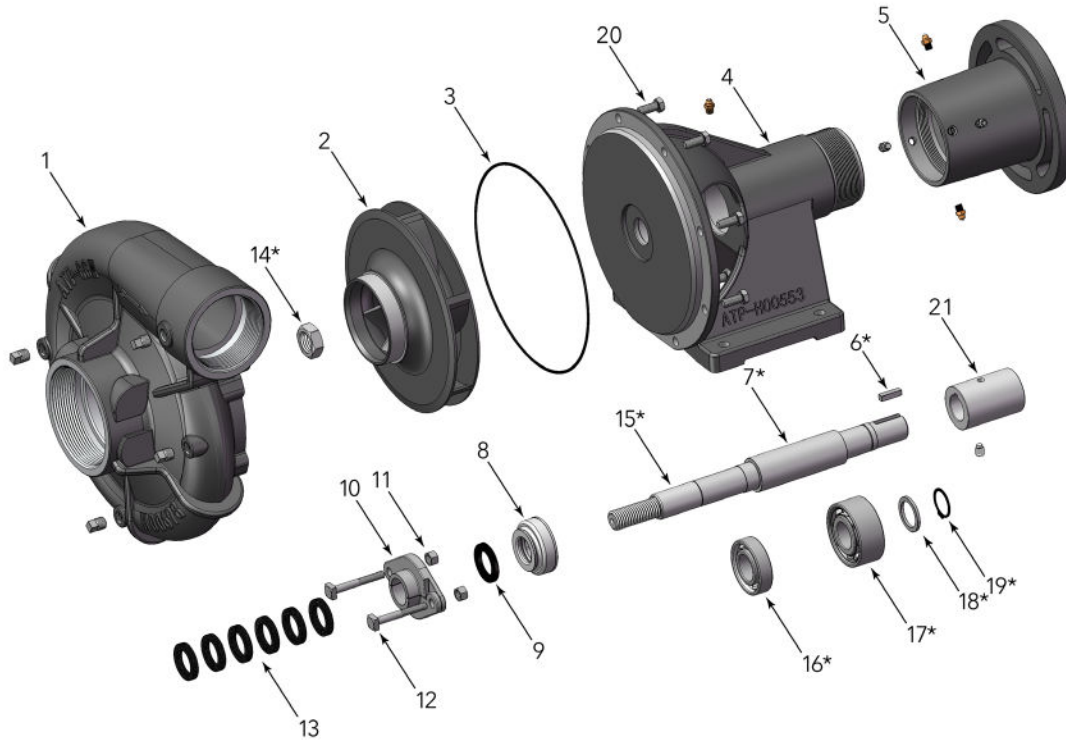


**PARTS BREAKDOWN**

B3Z Rope Seal Pump w/ Hydraulic Adaptor (CCW, Threaded)



\* Items included in shaft kit

COMMON PARTS							
#	NAME	SKU	ALT SKU	#	NAME	SKU	ALT SKU
1	Volute Case	113-H00698	H00698	11	Nut, 3/8"-16 (2 Req)	116-S23343	S23343
2	Impeller	112-M02181	M02181	12	Bolt, Sq Head 3/8"-16x2 1/2"	116-S23762	S23762
3	Volute O-Ring	116-M14943	M14943	13	Rope Packing (Set of 6)	116-S14022	S14022
	Optional Gasket	116-S05126	S05126	14*	Impeller Lock Nut	116-U36189	U36189
4	Pump Frame	114-H00553	H00553	15*	Shaft Sleeve (For Rope & Mech)	116-S39242	S39242
5	Hydraulic Pump Adaptor	115-B07779	B07779	16*	Ball Bearing	116-S13270	S13270
6*	1/4" Key Way	116-S24255	S24255	17*	Ball Bearing	116-S13271	S13271
7*	Shaft Kit	111-B80696	B80696	18*	Thrust Ring	116-S29218	S29218
8	Inner Bearing Cap	116-S19033	S19033	19*	Retaining Snap Ring	116-S23010	S23010
9	Water Slinger	116-S12260	S12260	20	Capscrew, Hex 3/8"-16 x 7/8"	116-S26825	S26825
10	Split Packing Gland	116-B82468	B82468	21	Hydraulic Shaft Coupling	116-S30636	S30636

COMPLETE PUMP		
CONNECTION	ROTATION	SKU
Threaded	CCW	108-B59538

