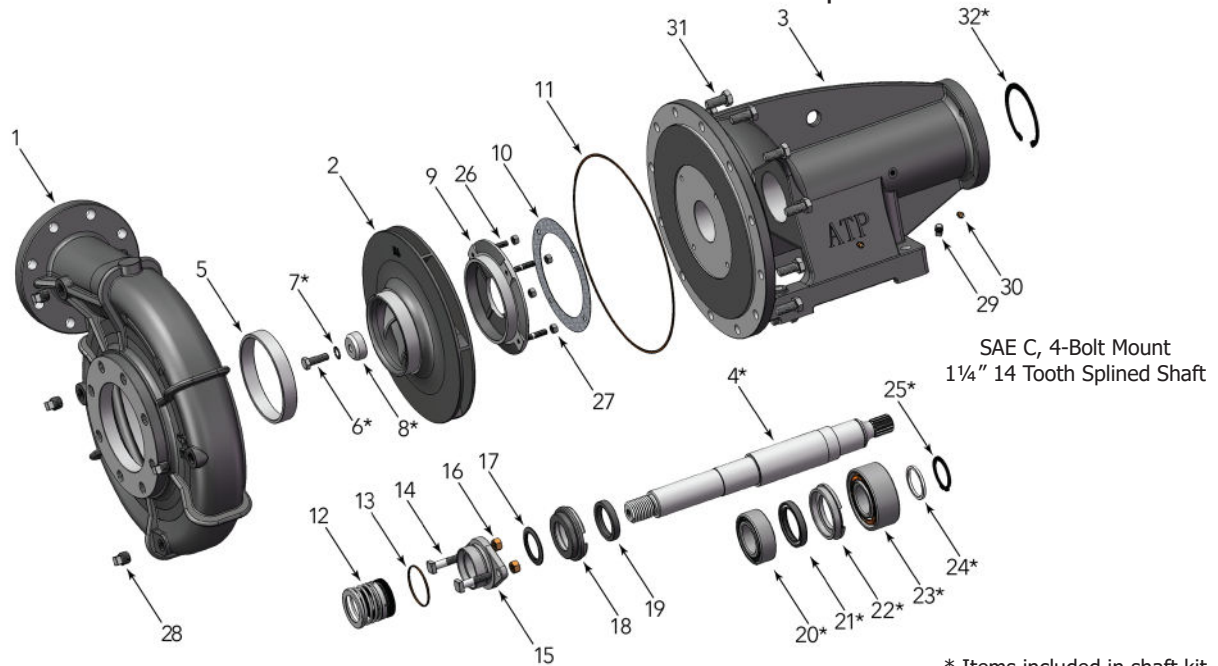


PARTS BREAKDOWN
B4JRMBHS 5x4 Mechanical Seal Pump



* Items included in shaft kit

PARTS							
#	NAME	SKU	ALT SKU	#	NAME	SKU	ALT SKU
1	Case, Volute	113-H03843	H03843	17	Water Slinger	116-S10964	S10964
2	Impeller	112-L05976	L05976	18	Inner Bearing Cap	116-M10200	M10200
3	Hydraulic Bearing Frame	114-M05103	H05103	19	Oil Seal	116-S14765	S14765
4*	Shaft Kit	111-B73051	B73051	20*	Ball Bearing	116-S15604	S15604
5	Wearing Ring	116-S02894	S02894	21*	Oil Seal	116-M10210	M10210
6*	Capscrew	116-S23623	S23623	22*	Outer Bearing Cap	116-M10209	M10209
7*	Lock Washer	116-S23038	S23038	23*	Ball Bearing	116-M10184	M10184
8*	Impeller Washer	116-S19275	S19275	24*	Shaft Thrust Ring	116-S06519	S06519
9	Balance Ring	116-S13591	S13591	25*	Retaining Ring	116-S23016	S23016
10	Balance Ring Gasket	116-S09943	S09943	26	Stud	116-S23995	S23995
11	Volute Gasket	116-S06271	S06271	27	Pump Nut	116-S23103	S23103
12	Mechanical Seal	116-S32693	S32693	28	1/2" Pipe Plug	116-S23717	S23717
13	O-Ring	116-S26471	S26471	29	1/4" Pipe Plug	116-S23715	S23715
14	Gland Bolt	116-S23792	S23792	30	Grease Fitting	116-S23670	S23670
15	Shaft Seal Retainer	116-S11452	S11452	31	Hex Capscrew	116-S26999	S26999
16	Hex Nut	116-S23347	S23347	32*	Retaining Ring	116-S23025	S23025

COMPLETE PUMP	
B4JRMBHS 5x4 Mechanical Seal	101-B69743

