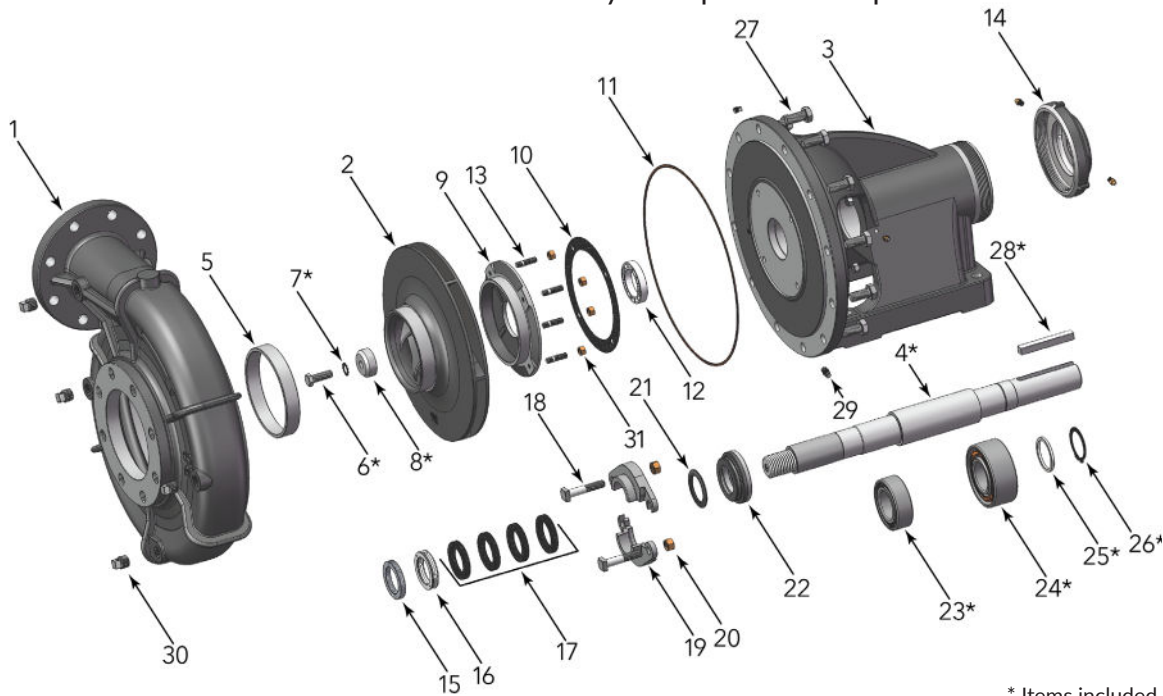


PARTS BREAKDOWN
B4JRMBS 5x4 Keyed Rope Seal Pump



* Items included in shaft kit

| PARTS | | | | | | | |
|-------|--|------------|---------|-----|--|------------|---------|
| # | NAME | SKU | ALT SKU | # | NAME | SKU | ALT SKU |
| 1 | Volute, B4J, CW | 113-H03843 | H03843 | 17 | Packing Set (Set of 4 Rings) | 116-S13436 | S13436 |
| 2 | Impeller, B4J, CW | 112-L05976 | L05976 | 18 | Bolt, Sq. Head 1/2-13 x 2-3/4" (2 Req) | 116-S23794 | S23794 |
| 3 | Bearing Frame | 114-H01599 | H01599 | 19 | Packing Gland, Split | 116-B82472 | B82472 |
| 4* | Shaft Kit, CW, 17/8" Keyed | 111-B07596 | B07596 | 20 | Nut, Hex 1/2-13 (2 Req) | 116-S23347 | S23347 |
| 5 | Wearing Ring | 116-S02894 | S02894 | 21 | Water Slinger | 116-S10964 | S10964 |
| 6* | Screw, Impeller 1/2-13 x 1-1/2" | 116-S23623 | S23623 | 22 | Inner Bearing Cap | 116-S05928 | S05928 |
| 7* | Lock Washer | 116-S23038 | S23038 | 23* | Bearing | 116-S15604 | S15604 |
| 8* | Impeller Washer | 116-S19275 | S19275 | 24* | Bearing | 116-M10184 | M10184 |
| 9 | Balance Ring | 116-S12315 | S12315 | 25* | Thrust Ring | 116-S06519 | S06519 |
| 10 | Balance Ring Gasket | 116-S09943 | S09943 | 26* | Retaining Ring | 116-S23016 | S23016 |
| 11 | Volute Gasket | 116-S06271 | S06271 | 27 | Capscrew, Hex 5/8-11 x 1-1/2" (12 Req) | 116-S26999 | S26999 |
| 12 | Throat Bushing | 116-S18992 | S18992 | 28* | Key, 1/2 x 4" | 116-S24214 | S24214 |
| 13 | Stud, 3/8-16 x 1-3/8" (4 Req.) | 116-S09942 | S09942 | 29 | Grease Fitting (2 Req) | 116-S23670 | S23670 |
| 14 | Outer Bearing Cap (Including Grease Zerks) | 116-S35277 | S35277 | 30 | Pipe Plug, 1/2" NPT (4 Req) | 116-S23717 | S23717 |
| 15 | Metalic Ring | 116-S13434 | S13434 | 31 | Nut, Hex 5/8-16" | 116-S23103 | S23103 |
| 16 | Lantern Ring | 116-S18993 | S18993 | | | | |

| COMPLETE PUMP | |
|-----------------------------|-------------------|
| B4JRMBS 5x4 Keyed Rope Seal | 101-B62321 |

