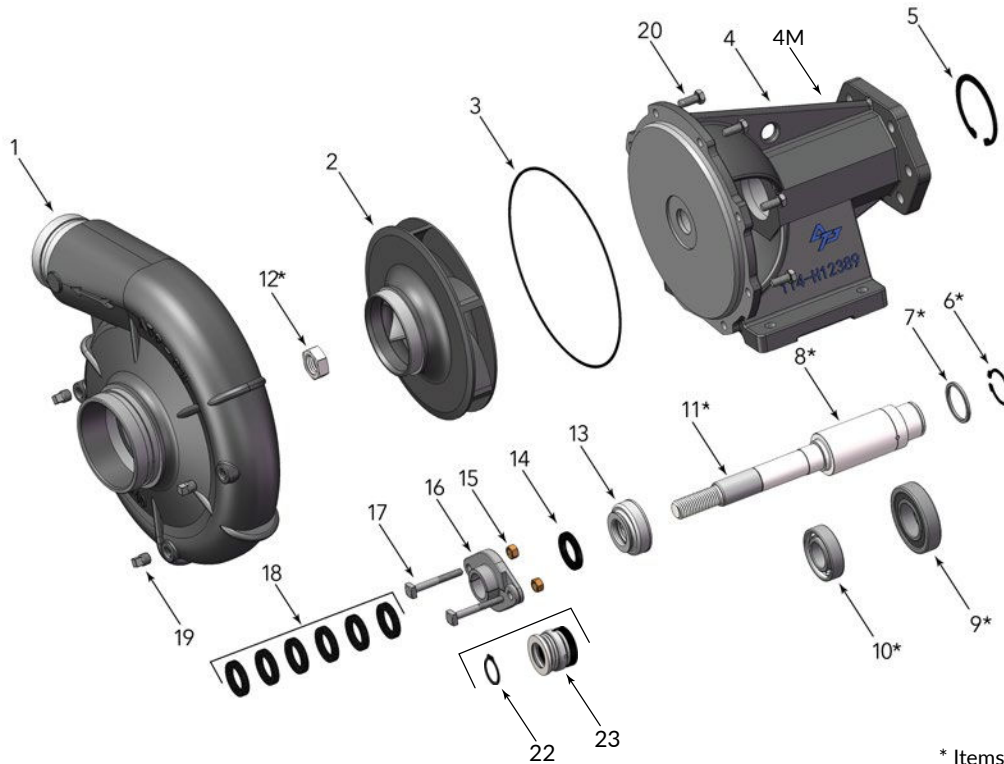


**PARTS BREAKDOWN**  
B3Z SAE B Hydraulic Mount Pump



\* Items included in shaft kit

| ROPE SEAL PARTS |   |                   |         |     |                               |                   |         |
|-----------------|---|-------------------|---------|-----|-------------------------------|-------------------|---------|
| #               | NAME                                    | SKU               | ALT SKU | #   | NAME                          | SKU               | ALT SKU |
| 1               | Volute, B3Z, CW, Groove                 | <b>113-H04040</b> | H04040  | 11* | Pump Shaft Sleeve, B3Z        | <b>116-S05127</b> | S05127  |
| 2               | Impeller, B3Z, CW                       | <b>112-M02153</b> | M02153  | 12* | Pump Lock Nut, B3Z, CW        | <b>116-M10220</b> | M10220  |
| 3               | Pump O-Ring, B3Z                        | <b>116-M14943</b> | M14943  | 13  | Inner Bearing Cap             | <b>116-S19033</b> | S19033  |
| 4               | SAE B Rope Seal Bearing Frame           | <b>114-H12389</b> | H12389  | 14  | Pump Slinger                  | <b>116-S12260</b> | S12260  |
| 5               | Pump Retaining Ring                     | <b>116-S23025</b> | S23025  | 15  | Gland Nut, B3Z                | <b>116-S23343</b> | S23343  |
| 6*              | Shaft Retaining Ring                    | <b>116-S23010</b> | S23010  | 16  | Pump Packing Gland Set        | <b>116-B82468</b> | B82468  |
| 7*              | Shaft Thrust Ring                       | <b>116-S29218</b> | S29218  | 17  | Gland Bolt, B3Z               | <b>116-S23762</b> | S23762  |
| 8*              | Shaft Kit, Female Spline, 7/8"-13 Tooth | <b>111-M80880</b> | M80880  | 18  | Pump Rope Packing             | <b>116-S14022</b> | S14022  |
| 9*              | Pump Bearing, Rear                      | <b>116-S13271</b> | S13271  | 19  | Pipe Plug, 1/4", NPT          | <b>116-S23715</b> | S23715  |
| 10*             | Pump Bearing, Front                     | <b>116-S13270</b> | S13270  | 20  | Capscrew, B3Z, 3/8-16x1", Hex | <b>116-S26826</b> | S26826  |

| MECH SEAL PARTS |                               |                   |         |
|-----------------|-------------------------------|-------------------|---------|
| #               | NAME                          | SKU               | ALT SKU |
| 4M              | SAE B Mech Seal Bearing Frame | <b>114-M98321</b> | M98321  |
| 22              | Retaining Ring                | <b>116-S23009</b> | S23009  |
| 23              | Mechanical Seal               | <b>116-S32690</b> | S32690  |

| COMPLETE PUMPS                                       |                   |
|--|-------------------|
| B3Z-SAE B ROPE Seal Hydraulic Mount Pump (CW Groove) | <b>101-B81203</b> |
| B3Z-SAE B MECH Seal Hydraulic Mount Pump (CW Groove) | <b>101-B81223</b> |

