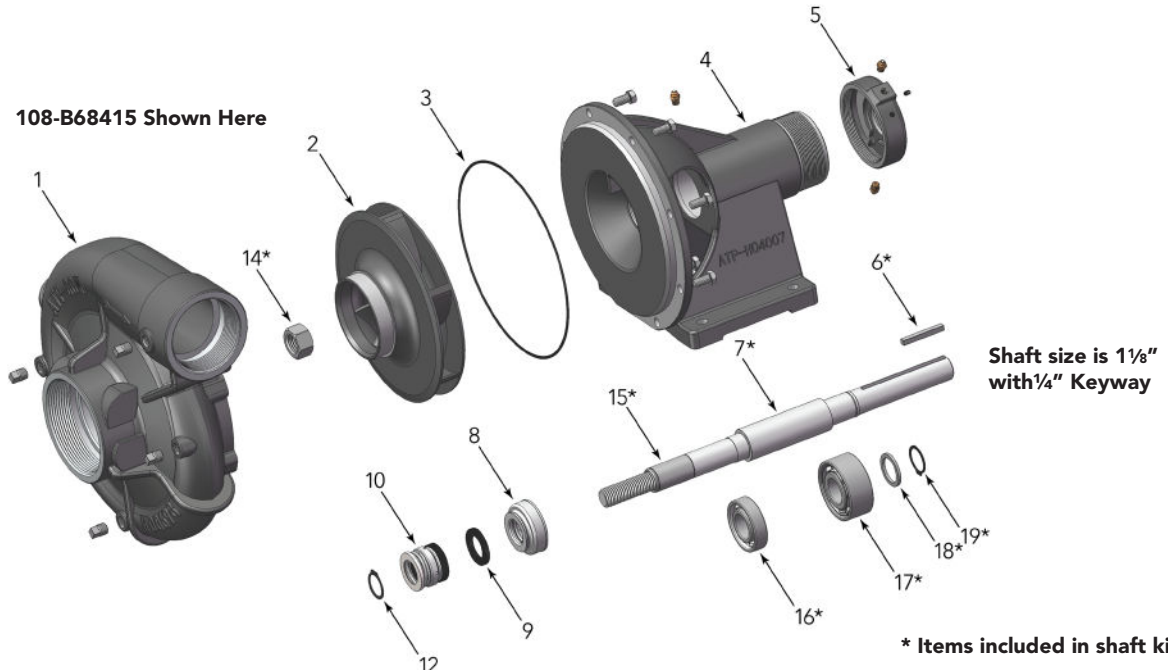




PARTS BREAKDOWN
B3Z Mechanical Seal Pump (CW-CCW)



COMMON PARTS			
#	NAME	SKU	ALT SKU
3	Volute Gasket	116-S05126	S05126
	Optional O-Ring	116-M14943	M14943
4	Pump Frame, Mechanical Seal	114-H04007	H04007
5	Outer Bearing Cap	116-S19914	S19914
6*	1/4" Key Way	116-S24255	S24255
8	Inner Bearing Cap	116-S19033	S19033
9	Water Slinger	116-S12260	S12260
10	Mechanical Seal	116-S32690	S32690
12	Retaining Ring	116-S23009	S23009
15*	Shaft Sleeve (For Rope & Mech)	116-S39242	S05127
16*	Ball Bearing	116-S13270	S13270
17*	Ball Bearing	116-S13271	S13271
18*	Thrust Ring	116-S29218	S29218
19*	Retaining Snap Ring	116-S23010	S23010

VARIABLE PARTS					
#	NAME	CONNECTION	ROTATION	SKU	ALT SKU
1	Volute Case	Groove	CW	113-H04040	H04040
1	Volute Case	Groove	CCW	113-H04041	H04041
1	Volute Case	Threaded	CW	113-H00689	H00689
1	Volute Case	Threaded	CCW	113-H00698	H00698
2	Impeller		CW	112-M02153	M02153
2	Impeller		CCW	112-M02181	M02181
7*	Shaft Kit		CW	111-B80698	B80698
7*	Shaft Kit		CCW	111-B80696	B80696
14*	Impeller Lock Nut		CW	116-M10220	M10220
14*	Impeller Lock Nut		CCW	116-U36189	U36189

COMPLETE PUMPS AND POWER FRAMES			
NAME	CONNECTION	ROTATION	SKU
Pump	Threaded	CW	108-B68414
Pump	Threaded	CCW	108-B68415
Pump	Groove	CW	107-B68417
Pump	Groove	CCW	107-B68416
Power Frame		CW	103-B85550
Power Frame		CCW	103-B85549