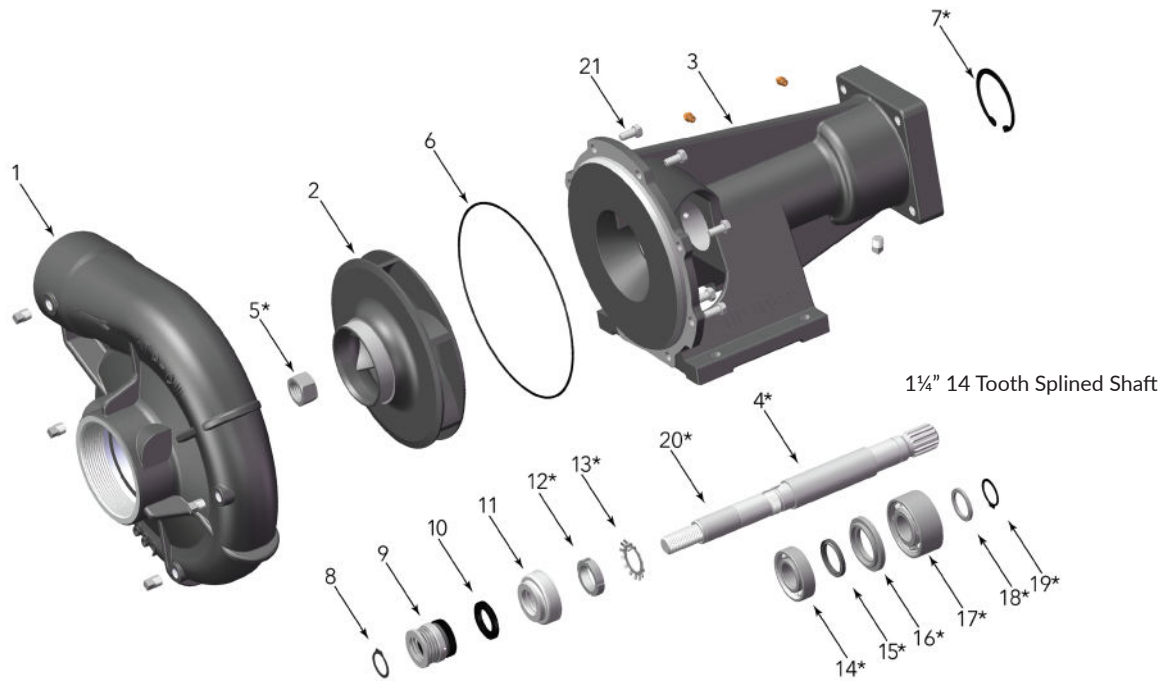


PARTS BREAKDOWN
B3Z Hydraulic Frame Pump (CW)



* Items included in shaft kit

PARTS							
#	NAME	SKU	ALT SKU	#	NAME	SKU	ALT SKU
1	Case, Volute	113-H00689	H00689	12*	Lock Nut	116-M10221	M10221
2	Impeller	112-M02153	M02153	13*	Lock Washer	116-S16181	S16181
3	Hydraulic Bearing Frame	114-H05119	H05119	14*	Ball Bearing	116-S13270	S13270
4*	Shaft Kit	111-B73052-3	B73052-3	15*	Oil Seal	116-M10217	M10217
5*	Impeller Lock Nut	116-M10220	M10220	16*	Outer Bearing Cap	116-M10214	M10214
6	Volute Gasket	116-S05126	S05126	17*	Ball Bearing	116-M10218	M10218
7	Retaining Ring	116-S23023	S23023	18*	Shaft Thrust Ring	116-M10222	M10222
8	Retaining Ring	116-S23009	S23009	19*	Retaining Ring	116-S23010	S23010
9	Mechanical Seal	116-S32690	S32690	20*	Shaft Sleeve	116-S39242	S39242
10	Water Slinger	116-S12260	S12260	21	Capscrew, 3/8-16x1", Hex	116-S26826	S26826
11	Inner Bearing Cap	116-S19033	S19033		Complete Pump, CW, Threaded	101-B69875	B69875