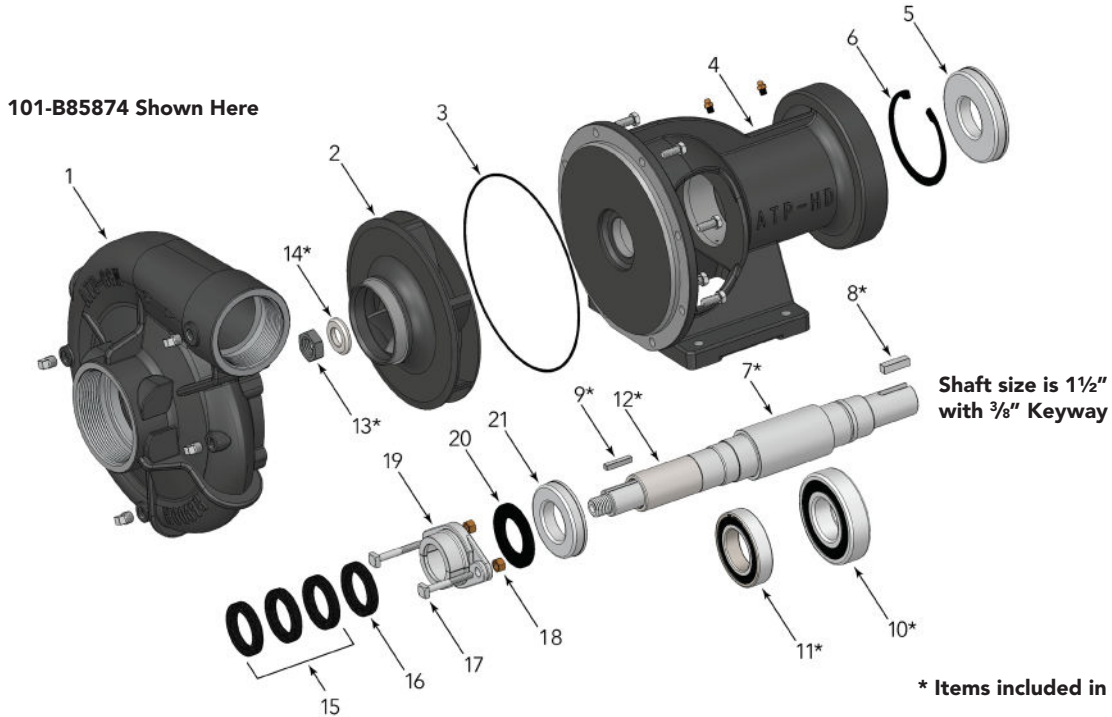


## PARTS BREAKDOWN

B3Z Heavy Duty Rope Seal Pump (CW-CCW)



COMMON PARTS			
#	NAME	SKU	ALT SKU
3	Volute Gasket	<b>116-S05126</b>	S05126
	Optional O-Ring	<b>116-M14943</b>	M14943
4	Pump Bearing Frame (Bracket)	<b>114-M15690</b>	M15690
5	Outer Bearing Cap	<b>116-M14996</b>	M14996
6	Thrust Ring	<b>116-S23025</b>	S23025
8*	Key, 3/8"x3/8"x1-3/8"	<b>116-M15001</b>	M15001
9*	Key, 1/4" x 1/4"	<b>116-S23505</b>	S23505
10*	Ball Bearing	<b>116-M14999</b>	M14999
11*	Ball Bearing	<b>116-M14998</b>	M14998
12*	Shaft Sleeve	<b>116-M14993</b>	M14993
14*	Lock Washer	<b>116-M14990</b>	M14990
15	Packing Ring (Set of 3)	<b>116-S08291</b>	S08291
16	Packing Ring, Metallic	<b>116-S11092</b>	S11092
17	Packing Gland, Split	<b>116-B82470</b>	B82470
18	Nut, 3/8"-16 (2 Req)	<b>116-S23343</b>	S23343
19	Bolt, Sq Head 3/8"-16x2 1/2" (2 Req)	<b>116-S23762</b>	S23762
20	Water Slinger	<b>116-S10964</b>	S10964
21	Inner Bearing Cap	<b>116-M14997</b>	M14997

VARIABLE PARTS					
#	NAME	CONNECTION	ROTATION	SKU	ALT SKU
1	Volute Case	Threaded	CW	<b>113-H00689</b>	H00689
1	Volute Case	Threaded	CCW	<b>113-H00698</b>	H00698
2	Keyed Impeller		CW	<b>112-M14994</b>	M14994
2	Keyed Impeller		CCW	<b>112-M14989</b>	M14989
7*	Shaft Kit		CW	<b>111-B85585</b>	B85585
7*	Shaft Kit		CCW	<b>111-B85916</b>	B85916
13*	Impeller Lock Nut		CW	<b>116-M10220</b>	M10220
13*	Impeller Lock Nut		CCW	<b>116-U36189</b>	U36189

COMPLETE PUMPS AND POWER FRAMES			
NAME	CONNECTION	ROTATION	SKU
Pump	Threaded	CW	<b>101-B86070</b>
Pump	Threaded	CCW	<b>101-B85874</b>
Power Frame		CW	<b>103-B86070</b>
Power Frame		CCW	<b>103-B85874</b>

